

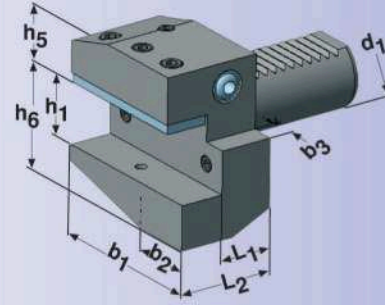


Radial-Toolholder Form B1 right, short

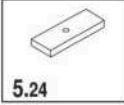
Porte-outil radial Forme B1 droite, court

Radial kater tutucu B1 Formu sağ, kısa

Bestell-Nr. Order Nr. Référence Sipariş Nr.	Abmessung Size / Dimension Size / Cinsi	d1 x h1 x L2	L1	b1	b2	b3	h5	h6	Euro
169.31.12	B1 - 16 x 12 x 24		13	42	23	5	20	22	
209.31.16	B1 - 20 x 16 x 30		16	55	30	7	25	30	
259.31.16	B1 - 25 x 16 x 30		16	55	30	7	25	30	
309.31.20	B1 - 30 x 20 x 40		22	70	35	10	28	38	
409.31.25	B1 - 40 x 25 x 44		22	85	42,5	12,5	32,5	48	
509.31.32	B1 - 50 x 32 x 55		30	100	50	16	35	60	



Zubehör / Accessories / Accessoires / Yedekler



Unterlegplatte
Shim
Plaque entretoise
Kater laması

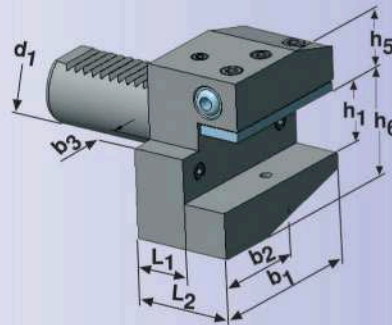
Radial - Werkzeughalter Form B2 links, kurz

Radial-Toolholder Form B2 left, short

Porte-outil radial Forme B2 gauche, court

Radial kater tutucu B2 Formu sol, kısa

Bestell-Nr. Order Nr. Référence Sipariş Nr.	Abmessung Size / Dimension Size / Cinsi	d1 x h1 x L2	L1	b1	b2	b3	h5	h6	Euro
169.32.12	B2 - 16 x 12 x 24		13	42	23	5	20	22	
209.32.16	B2 - 20 x 16 x 30		16	55	30	7	25	30	
259.32.16	B2 - 25 x 16 x 30		16	55	30	7	25	30	
309.32.20	B2 - 30 x 20 x 40		22	70	35	10	28	38	
409.32.25	B2 - 40 x 25 x 44		22	85	42,5	12,5	32,5	48	
509.32.32	B2 - 50 x 32 x 55		30	100	50	16	35	60	



Zubehör / Accessories / Accessoires / Yedekler



Unterlegplatte
Shim
Plaque entretoise
Kater laması